

Recover after impact

***FLEXIBLE BOLLARDS
ROAD DELINEATORS***





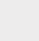

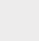




A-FLEX

A-FLEX FLEXIBLE BOLLARDS

+ / A-FLEX BOLLARDS ADVANTAGES



-  Virtually unbreakable.
-  100 % recyclable.
-  Not painted. No rust. Maintenance-free.
-  Memory bollard; in case of impact, it returns to its original shape and position.
-  High resistance to many solvents, oils and greases.
-  Excellent impact resistance and flexibility on a wide range of temperatures.
-  High resistance to abrasion.
-  Pleasant to touch.
-  Aesthetically identical to metal bollards.

+ / A-FLEX BOLLARDS CERTIFICATES



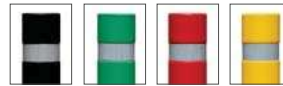
- Head impact test against A-Flex Bollard (HIC). Rating: Low. (lowest than 216).
- Torso impact test against A-Flex Bollard certification (AIS 3). (Possibility of serious injury less than 10%).
- Test report showing that the bollards are capable of flexing up to 90° for 2000 continuous cycles.
- Certification showing the impact of a vehicle running at more than 80 km/h on a A-Flex bollard without damaging it.
- Reach Certificate of Compliance.
- Fire Resistance Class E Certificate.
- UE Certification: General Product Safety Directive (GPSD) 2001/95/EC, R.D. 1803/2003.



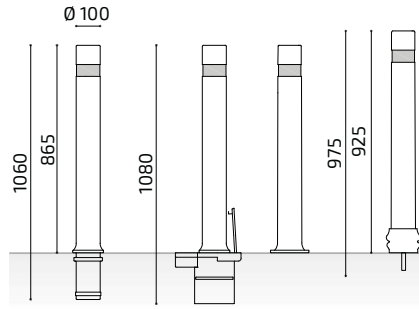
Flexible bollards built using materials according to the restrictions of EU's REACH regulation, free from any heavy or polluting metals as from harmful substances.

A-FLEX

MODELO PATENTADO
PATENTED MODEL



Standard colors



PFLEXHN PFLEXHN + BEXTRAP01 PFLEXHNP PFLEXHNT

 / Other colors available.



Yellow reflective tape.



Optional base with reinforced plate.

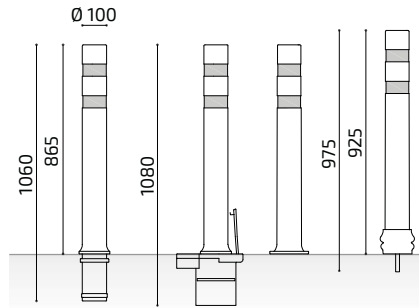


A-FLEX DT

MODELO PATENTADO
PATENTED MODEL



Standard colors



PFLEXDTHN PFLEXDTHN + BEXTRAP01 PFLEXDTHNP PFLEXDTHNT

 / Other colors available.



Yellow reflective tape.

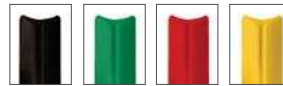


Optional base with reinforced plate.

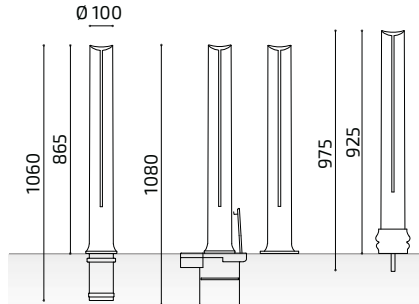


A-FLEX BADALONA

MODELO PATENTADO
PATENTED MODEL



Standard colors



PFBDNHN PFBDNHN + BEXTRAP01 PFBDNHNP PFBDNHNT

 / Other colors available.



Optional base with reinforced plate.



PRÓXIMAMENTE
COMING SOON

A-FLEX SANT FELIU



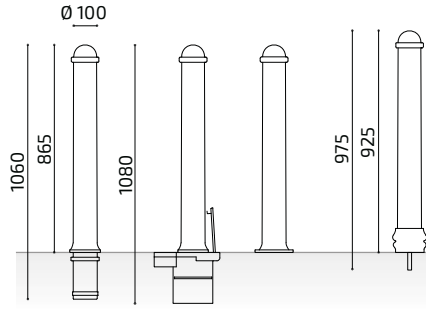
PFSFHN PFSFHN + BEXTRAP01 PFSFHNP PFSFHNT

 Otros colores a consultar. / Other colors available.

PRÓXIMAMENTE
COMING SOON



Colores estándar
Standard colors



Opcional base con placa reforzada.
Optional base with reinforced plate.

MODELO PATENTADO
PATENTED MODEL



A-FLEX AGBA



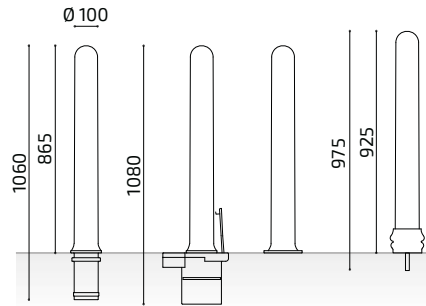
PFAGBAHN PFAGBAHN + BEXTRAP01 PFAGBAHP PFAGBAHT

 Otros colores a consultar. / Other colors available.

PRÓXIMAMENTE
COMING SOON

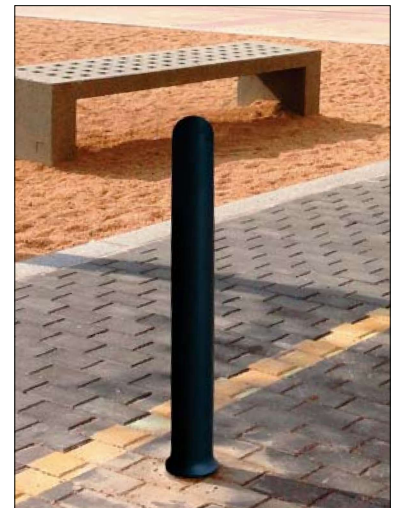


Colores estándar
Standard colors



Opcional base con placa reforzada.
Optional base with reinforced plate.

MODELO PATENTADO
PATENTED MODEL



A-FLEX FORUM



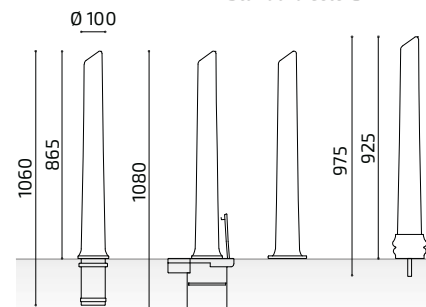
PFFORUMHN PFFORUMHN + BEXTRAP01 PFFORUMHNP PFFORUMHNT

 Otros colores a consultar. / Other colors available.

PRÓXIMAMENTE
COMING SOON



Colores estándar
Standard colors



Opcional base con placa reforzada.
Optional base with reinforced plate.

MODELO PATENTADO
PATENTED MODEL



A-FLEX 80

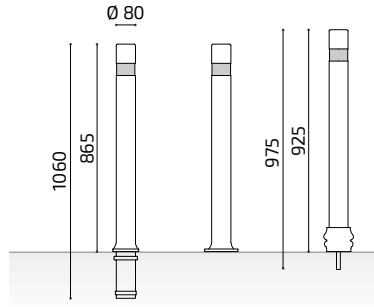
MODELO PATENTADO
PATENTED MODEL



PFLEX80HN PFLEX80HNP PFLEX80HNT



Colores estándar
Standard colors



 Otros colores a consultar. / Other colors available.



Cinta reflectante amarilla.
Yellow reflective tape.



Opcional base con placa reforzada.
Optional base with reinforced plate.

A-FLEX DT 80

MODELO PATENTADO
PATENTED MODEL

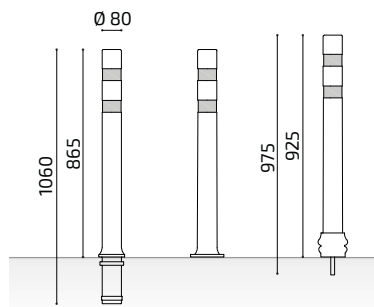


PFLEXDT80HN PFLEXDT80HNP PFLEXDT80HNT

Doble fresado
Double milling



Colores estándar
Standard colors



 Otros colores a consultar. / Other colors available.



Cinta reflectante amarilla.
Yellow reflective tape.



Opcional base con placa reforzada.
Optional base with reinforced plate.

PILONAS CARRIL BICI / BOLLARDS FOR BICYCLE LANE

MODELO PATENTADO
PATENTED MODEL



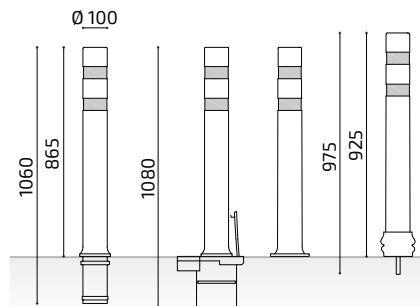
PFLEXDTHG PFLEXDTHG + BEXTRAP01 PFLEXDTHGT

Doble fresado
Double milling



Color estándar
Standard color

Pilona homologada
Homologated bollard



 Otros colores a consultar. / Other colors available.



Cinta reflectante amarilla.
Yellow reflective tape.



Opcional base con placa reforzada.
Optional base with reinforced plate.